

# What is in The Fox in a Box Kit

**1 ANCHOR STROP,**  
with pre formed eye.



**1 Shackle,** with split  
pin.



**1 x Zipline Pulley and  
Triple locking steel  
Karabiner**



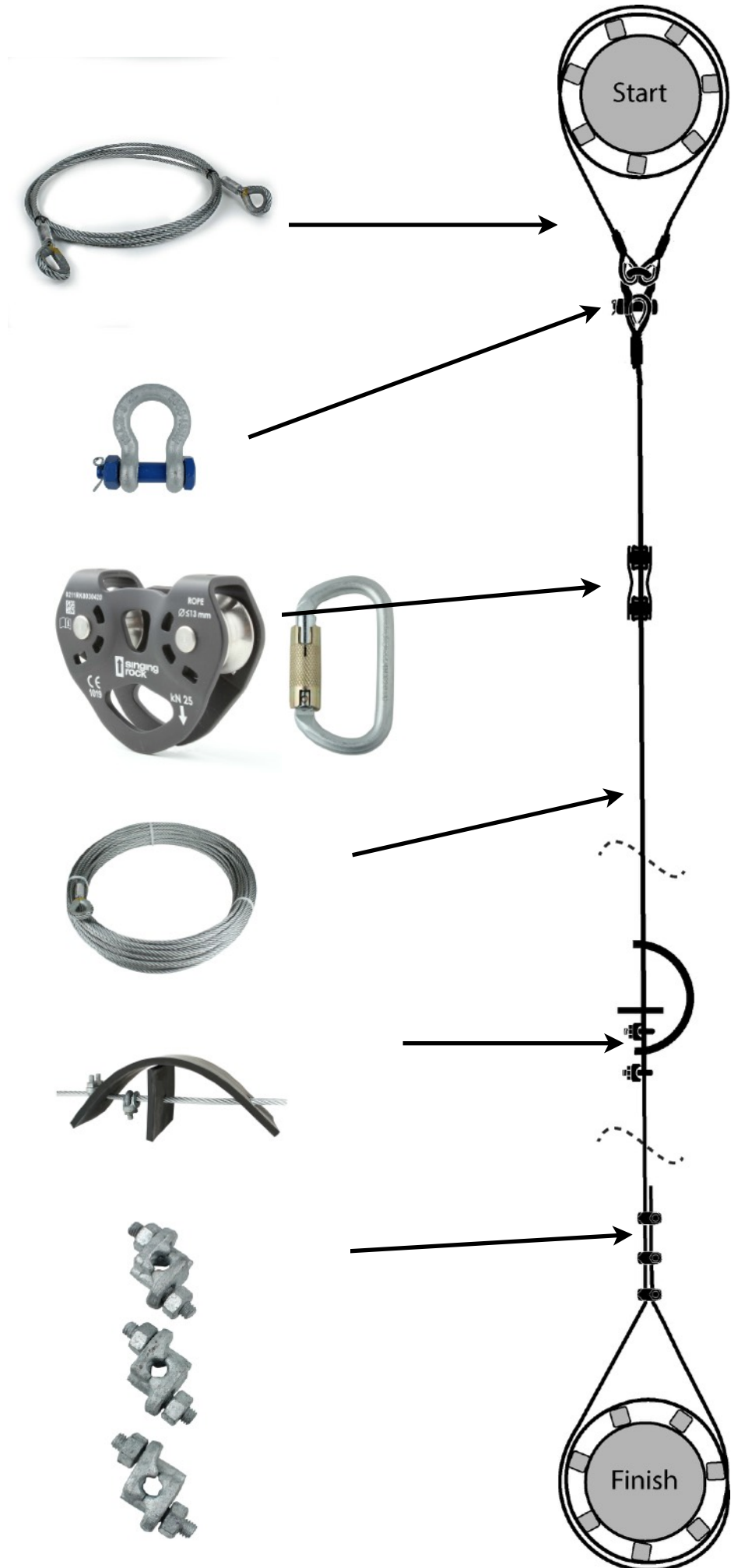
**1 x Zip line** wire with  
pre formed eye.



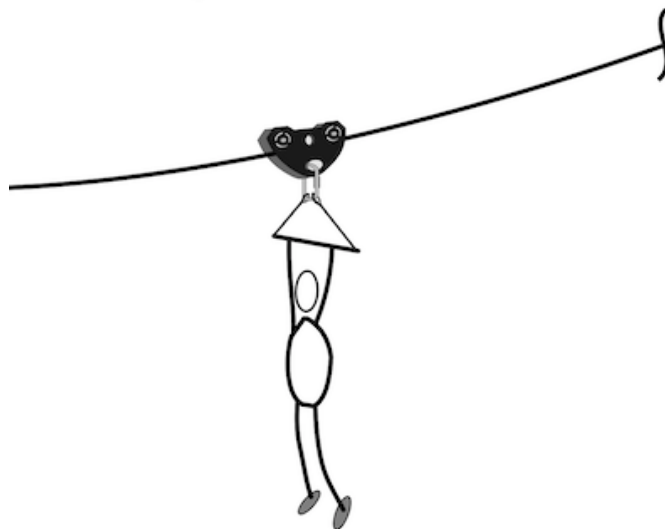
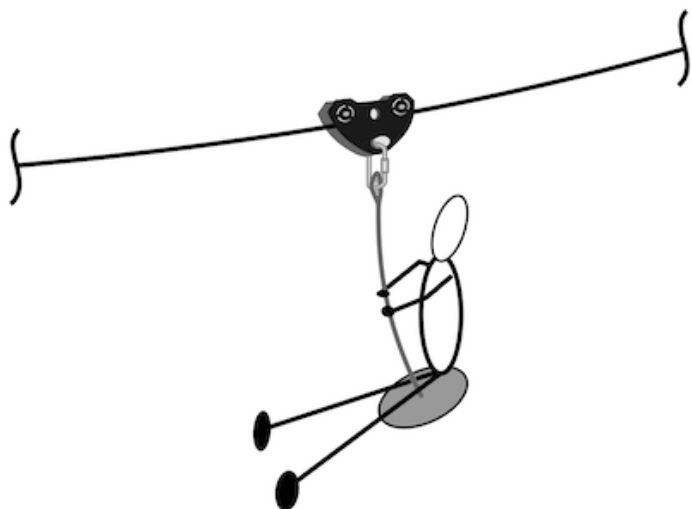
**STOP SNAKE:**  
2 x Rubber pads.  
2 x 12 mm washers.  
2 x Wire Rope Grips.



**Wire Rope Fist  
Grips**  
Rated for life support



## Pommel Seat / Handlebar options

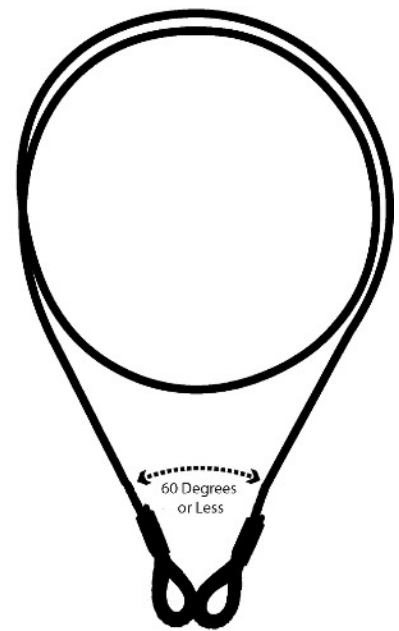
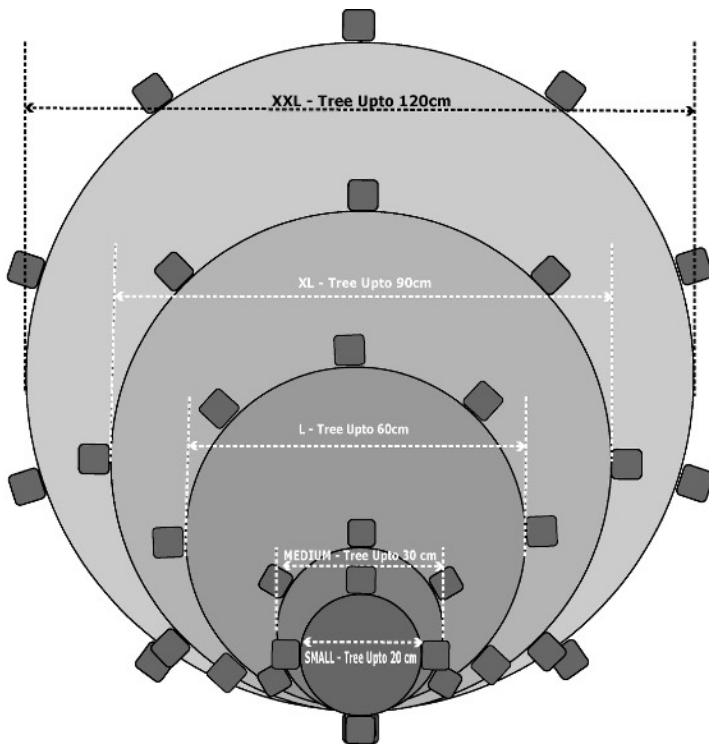


**Fancy Pants Seat**  
A playground grade  
rubberised seat.



**Plastic rod handlebar:**  
Supplied as Standard

## ANCHOR STROP



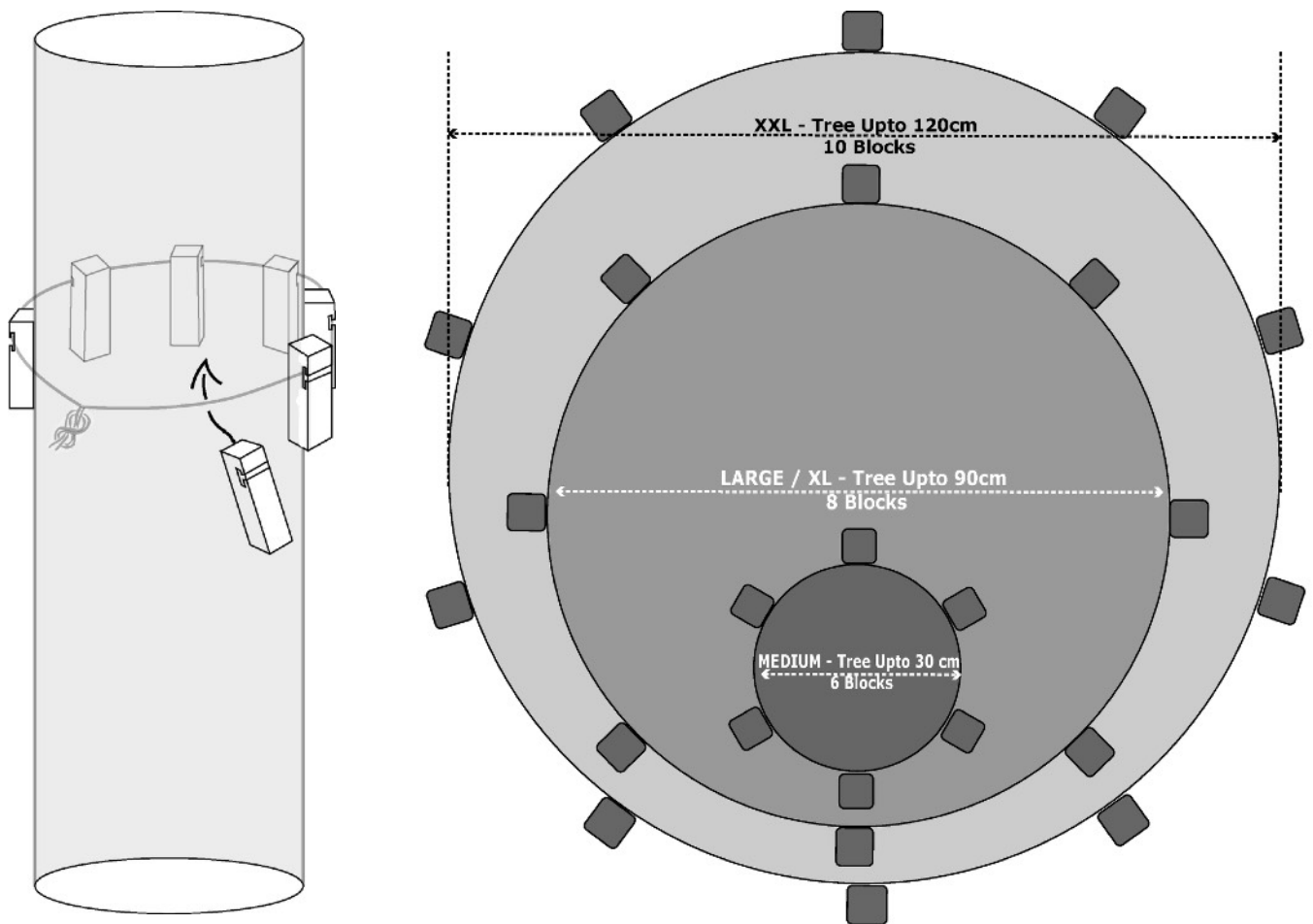
ORDER SIZE BASED ON THE SIZE OF YOUR TREE

SMALL - MEDIUM - LARGE - EXTRA LARGE - EXTRA EXTRA LARGE

It is important that the closure angle is 60 degrees or less.

**Tree Huggers are available as an extra**

**The 'tree huggers' are designed to protect your trees, from the rubbing of the wire, but more importantly to prevent ringbarking the tree.**



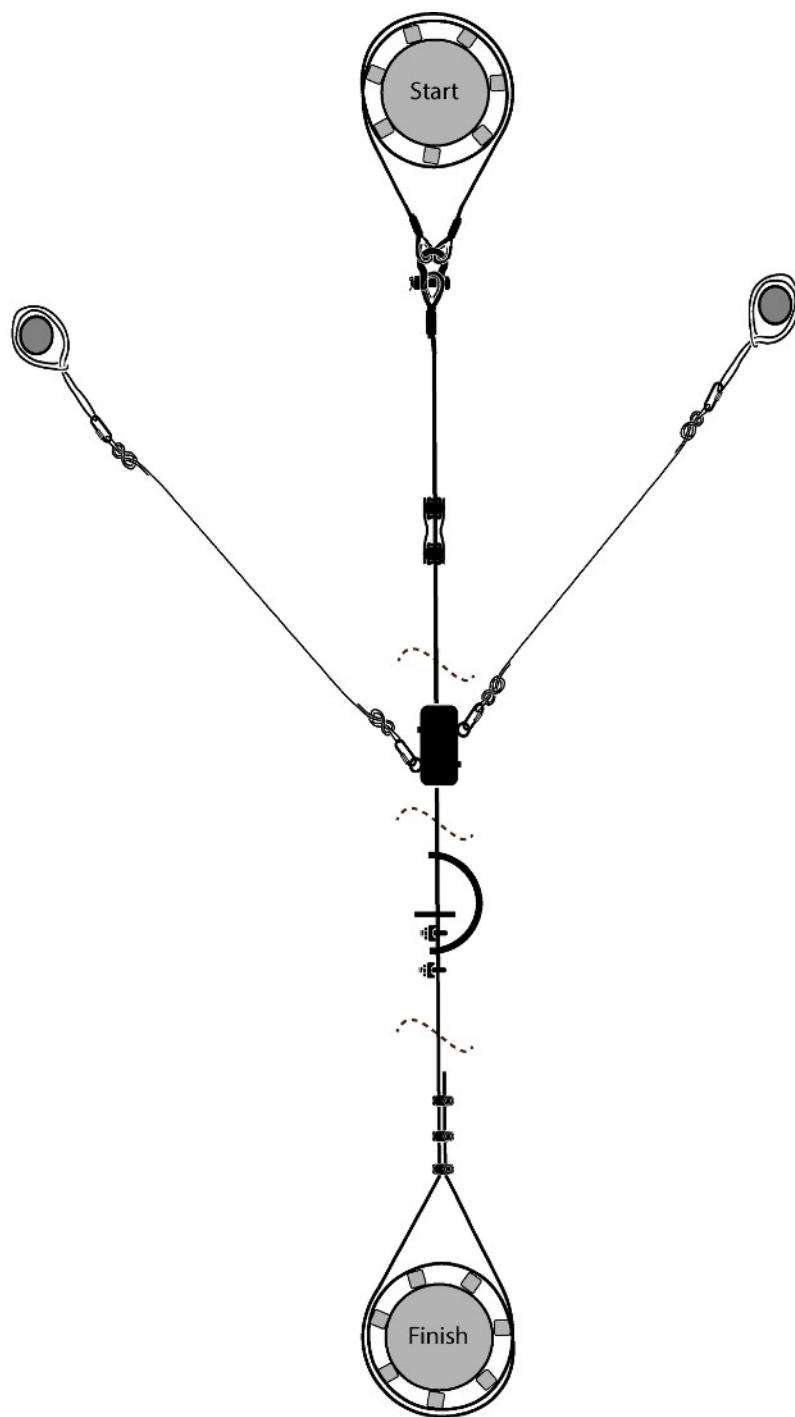
**Each tree hugger kit contains:**

Wooden blocks - ORDER THE QUANTITY BASED ON THE SIZE OF YOUR TREE  
1 x Shock cord rope for easy installation.

## Bungee Brake is available as an extra

If your gradient is 5% and 7% of span a bungee brake can work well.

You will need to install some extra posts to attach it to.



### The bungee brake kit contains:

- 1 x Hardwood brake block
- 2 x lifting slings (to act as anchors around your posts)
- 4 x steel rapid links
- 2 x 5 meter lengths of bungee rope.

## Tensioning the zip line with a winch

**For Zip Lines less than 20 meters:** You probably won't need a winch, but just in case a simplified winch is included.

**For Zip Lines up to 30 Meters:** The simplified winch will be adequate.

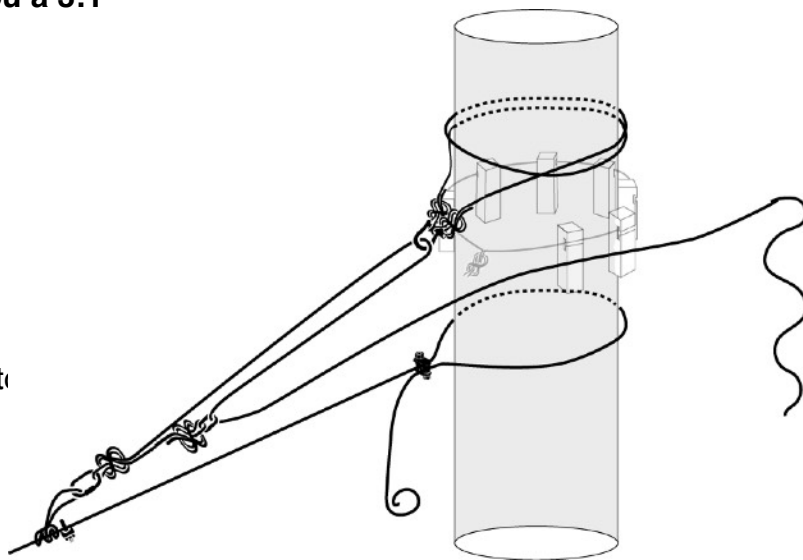
**For Zip Lines between 30 and 120 Meters:** The heavy winch will be required.

All of our FOX IN A BOX kits are supplied with a **SIMPLIFIED WINCH SYSTEM**. It will give you a 3:1 mechanical advantage.

### The simplified winch kit contains:

- 1 x Prussic loop
- 1 x wire rope grip
- 1 x anchor sling
- 1 x winching rope

It will work well for installing smaller zipline up to meters

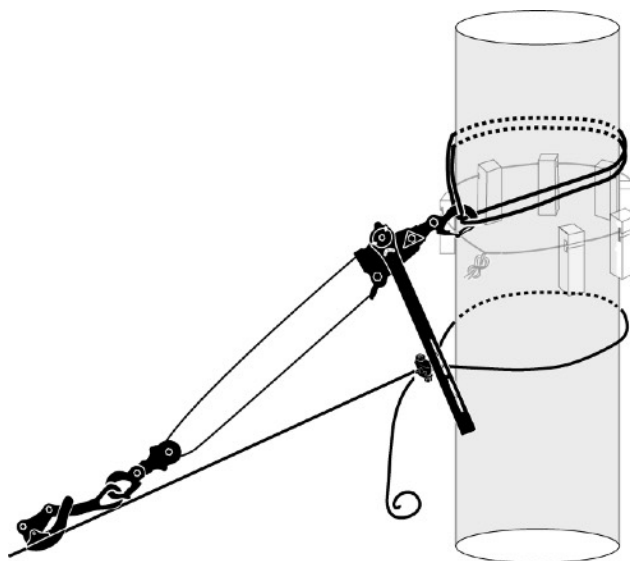


### The heavy winch kit is available as an extra.

### The heavy winch kit contains:

- 1 x Grip
- 1 x Sling
- 1 x Wire winch 1Ton capacity

It will work well for installing kits up to 120 meters



Simplified Winch Procedure

Heavy Winch Procedure

